



# Cat<sup>®</sup> Demolition & Sorting Grapples

HYDRAULIC EXCAVATORS

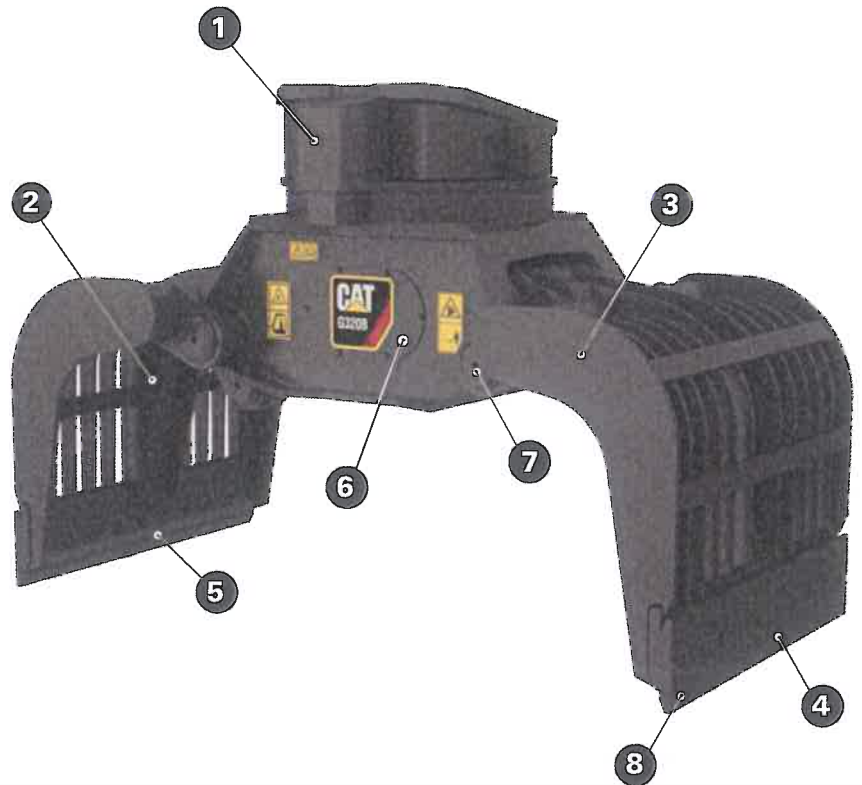


Americas North

**CAT<sup>®</sup>**

# PROTECT YOUR BOTTOM LINE

1. **PROTECTED ROTATION** with high torque motor for a long service life.
2. **JAW REINFORCEMENT** for extreme use.
3. **BUILT FOR EXTREME USE** with high-grade, impact-resistant steel.
4. **HIGH WEAR CUTTING EDGES** made of AR500 steel.
5. **OVERBITE STOPS** for edge-to-edge contact, even in thin material.
6. **AMPLE ACCESS** to internal parts.
7. **GROUND LEVEL ACCESS** to grease points.
8. **REPLACEABLE CUTTING EDGES** to extend service life.



## BEYOND YOUR PURCHASE...

Your Cat dealer will provide financing options and discuss day-to-day operating costs specific to your fleet and job requirements.

As with all Cat equipment, you can expect complete care and service all through the life of your new grapple. Support plans are available for the machine extending all the way out to the attachment to help protect your investment.

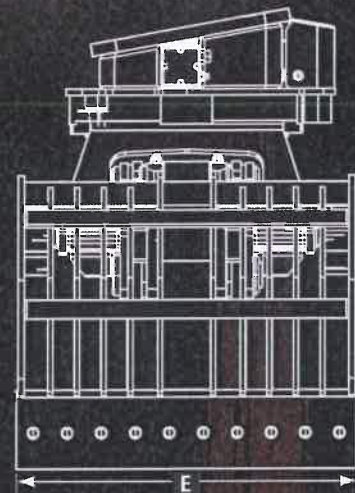
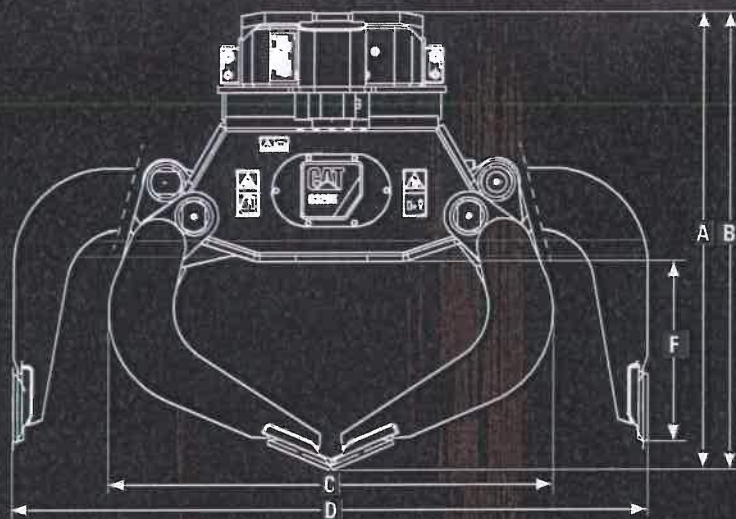
Partner with your Cat dealer to help evaluate repair, rebuild or replacement costs so you can make the best choices for your business future.

The Cat dealer network assures a common approach to parts available and quality of service, regardless of where the job takes you and your equipment.



*With more dealer locations around the globe than any other heavy equipment manufacturer, the Caterpillar® dealer network assures you or your operator are never very far from Cat parts, service and sales expertise.*





			G310B		G315B		G320B		G325B		G330	
<b>Cat carrier match*</b>			311 - 316		318 - 321		324 - 329		324 - 336		329 - 349	
			M313 - M316		M315 - M322		330 - 385 UHD		330 - 385 UHD		Apex 70 - 100	Apex 70 - 100
<b>Recommended carrier weight range</b>												
Minimum	t	(lb)	10	(22,000)	15	(33,000)	20	(44,000)	25	(55,000)	30	(66,000)
Maximum	t	(lb)	16	(35,200)	22	(48,500)	29	(63,900)	38	(83,700)	45	(99,200)
<b>Specifications</b>												
Capacity	L	(yd <sup>3</sup> )	375	(0.49)	550	(0.72)	750	(0.98)	850	(1.11)	1,000	(1.31)
Weight**	kg	(lb)	1,030	(2,266)	1,400	(3,080)	1,875	(4,125)	2,120	(4,664)	2,620	(5,764)
Closing Force	kN	(st)	36	(1.42)	52	(2.05)	66	(2.60)	66	(2.60)	60	(2.4)
Cycle Time	seconds		3.2		3.3		3.5		3.5		3.3	
<b>Dimensions</b>												
A Height, open	mm	(in)	1,359	(53.50)	1,462	(57.56)	1,606	(63.23)	1,620	(63.78)	1,680	(66.1)
B Height, closed	mm	(in)	1,440	(56.69)	1,550	(61.02)	1,725	(67.91)	1,725	(67.91)	1,835	(72.2)
C Width, closed	mm	(in)	1,245	(49.02)	1,375	(54.13)	1,540	(60.63)	1,540	(60.63)	1,515	(59.6)
D Width, open	mm	(in)	1,800	(70.87)	2,000	(78.74)	2,200	(86.61)	2,200	(86.61)	2,270	(89.4)
E Width	mm	(in)	850	(33.46)	1,000	(39.37)	1,100	(43.31)	1,350	(53.15)	1,480	(58.3)
F Height	mm	(in)	520	(20.47)	570	(22.44)	625	(24.61)	625	(24.61)	650	(25.6)

\* Contact your local Cat dealer to choose the right grapple for your machine's configuration.

\*\* Includes mounting bracket.

